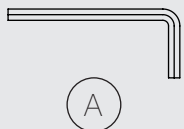
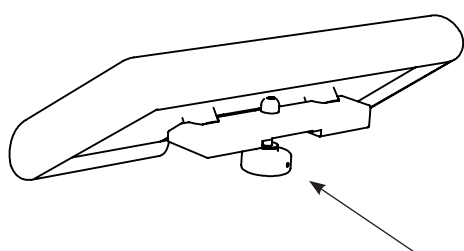


# Wing™ balans®

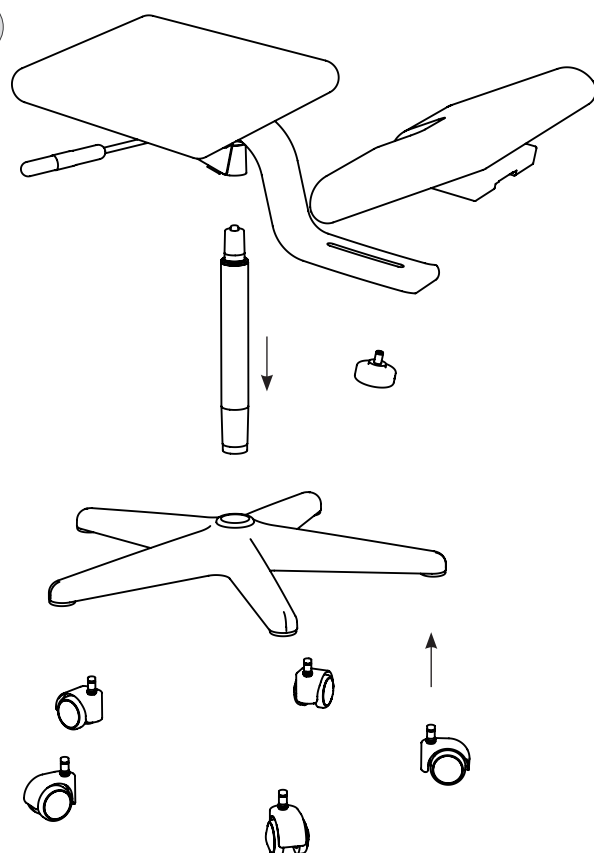


1



Remove wooden screw before assembling

2



## Important:

Please check and tighten all screws properly immediately after assembling. The natural movement of the wood and also your own movement in the chair, require your tightening of the screws. First after 14 days, then when needed. Please do not loose the allen key!